

Single-phase meter installation guide

1. Scope

This type of inverter integrate the export power limitation function, to use this function, please refer this installation guide to install the single-phase meter and set the inverter.

2. The Single phase meter installation

This meter is suitable for the following Solis inverter models :
Solis-mini-(0.7-3.6)K-4G, Solis-1P(2.5-6)K-4G



NOTE:

The meter has been preset for direct installation on site. No need to change any parameters on the meter.



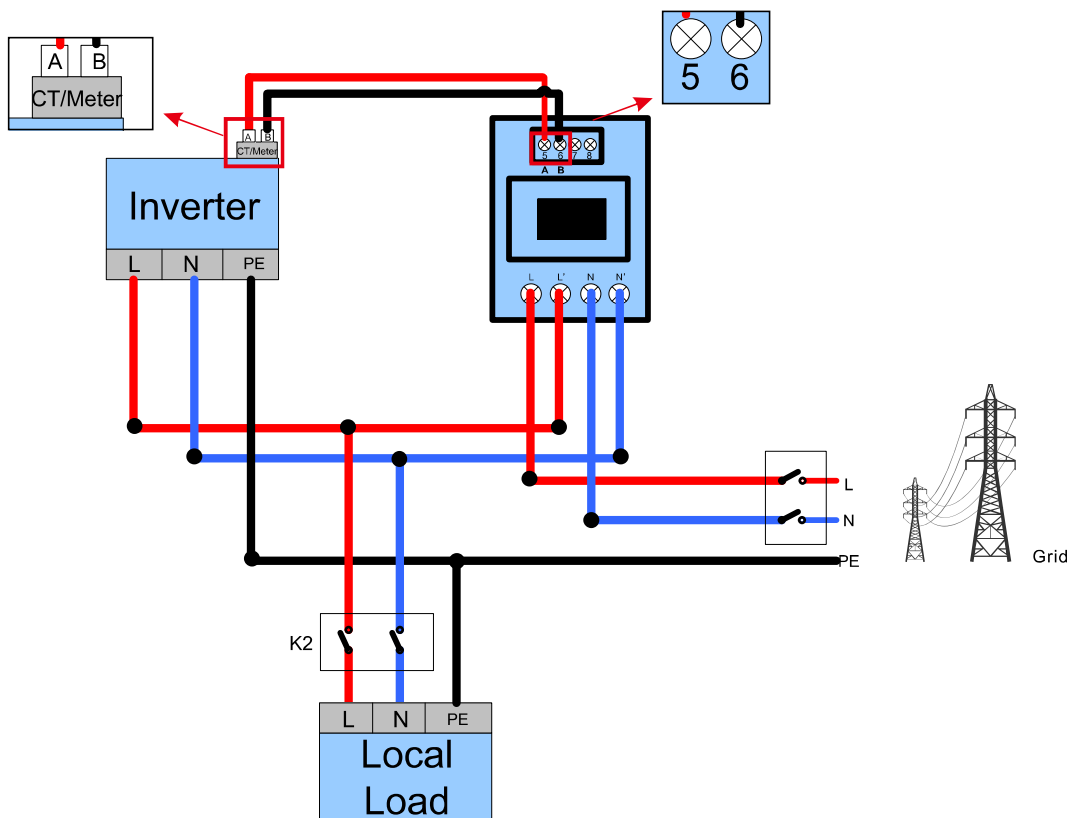
WARNING:

Please disconnect or switch off the upstream and downstream electrical connection before conduct the meter installation.
Otherwise there will be risk of electric shock.

The Single phase meter



System drawing



**NOTE:**

When connect the meter, make sure the mark "L" and "N" are connected at the Gride side, and the "L'" and "N'" are connected at the inverter/load side.

3. Setting on the inverter (default setting is "OFF")

Enter the menu.

Advanced Settings → 0010 → Internal EPM Set → Mode Select → Meter in Grid → Select "ON"

4. Meter Specification

Model Name	DDSD 1352
Grid Topology	1P+N
Rated Voltage	220V
Input Current	10(60)A
Accuracy	Voltage $\pm 0.2\%$ Current $\pm 0.2\%$ Power(P,Q,S) $\pm 0.5\%$ Active Energy Class 1 Reactive Energy Class 2
Operating Temperature	-25°C~55°C
Relative Humidity	<95% (Non-condensing)
Dimension	36L*89W*62H (mm)